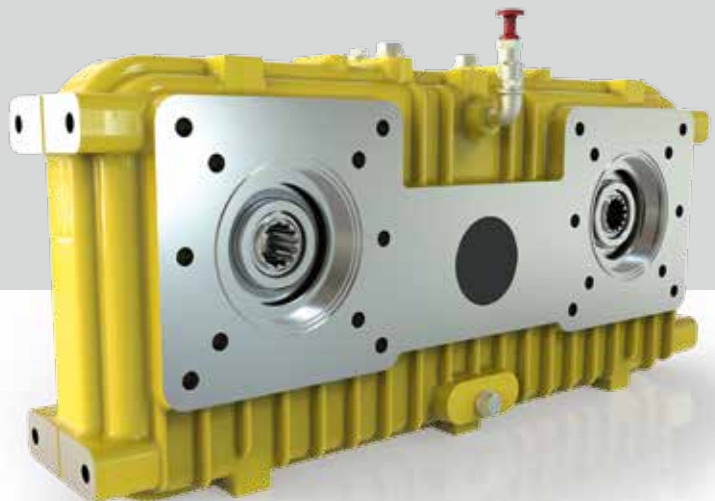




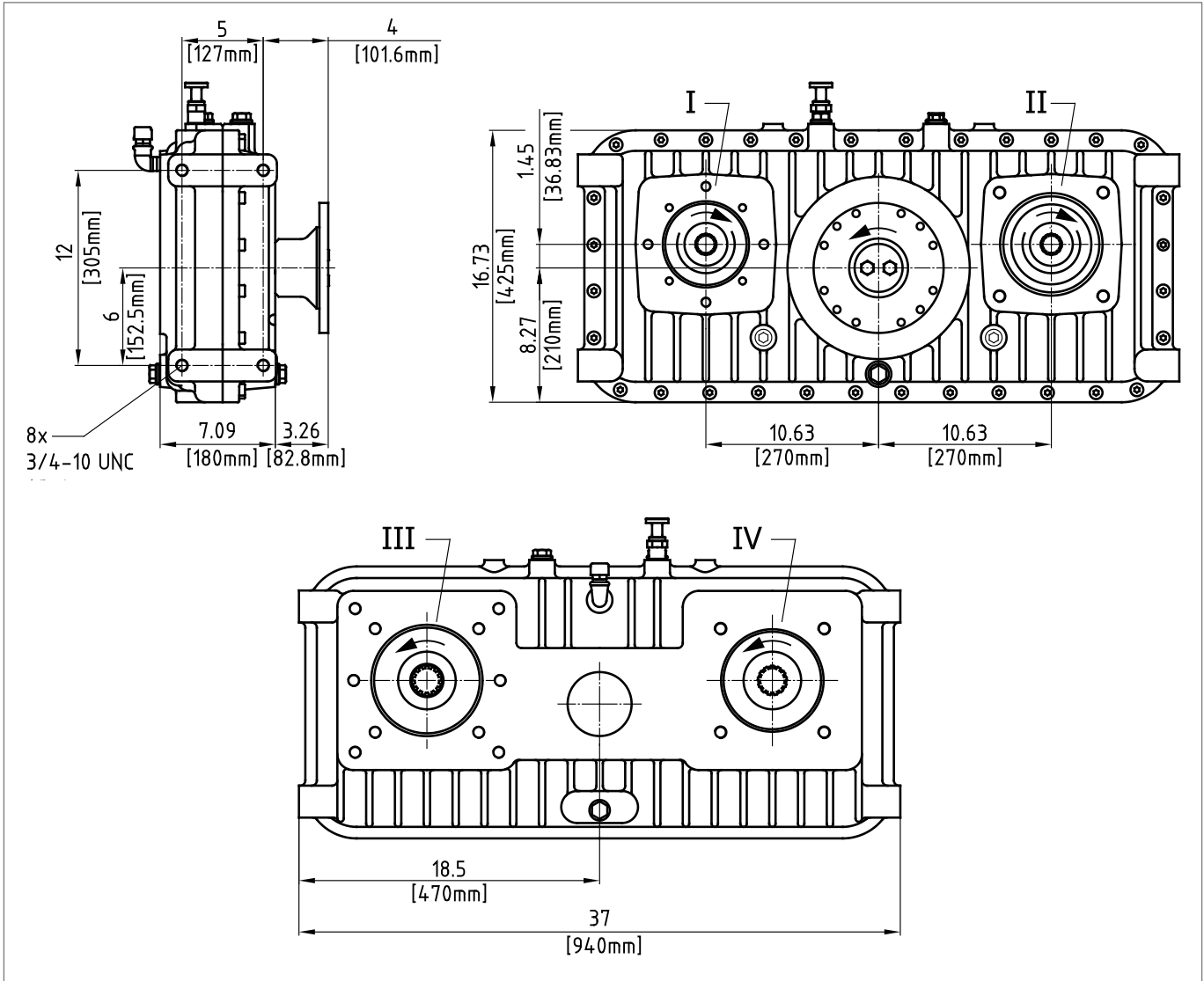
Pump Drive 4652



- **Gearbox robustness and torsional stiffness** characteristics allow to drive high loads and extend the service life of all connected components
- **Adaptability of input and outputs** for numerous attachment variants by a proven modular system

- **Centerline drop input and output** provide large oil volume movement that generate an improved energy balance – additional oil cooling system is not necessary with normal ambient conditions
- **Smaller package** – requires less space for inline applications but provides greater pump centerline distance





Input

Max. input power P_{1max}	940 HP (700kW)
Max. input torque T_{1max}	2434 ft-lb (3300 Nm)
Cardan or spicer flange	DIN & SAE

Drive through

Ratio	$i = 1.0$
Cardan or spicer flange	DIN or SAE

Output

Max. output power P_{2max}	570 HP (425kW)
Max. torque per each pump shaft T_{2max}	1770 ft-lb (2400 Nm)
Ratio	$i = 0.73 - 1.02$
Pump adapters	I-IV, SAE A-E

Weight

573 lb (approx. 260 kg)

